



Special features

- 4.1" TFT colour and graphics display with ShiftControl
- CircoTherm® Eco
- Interior halogen light
- Slide&Hide door, SoftClose
- Temperature proposal
- Actual temperature display
- Heating up indicator
- Sabbath setting

Features

- Oven with 13 heating methods: CircoTherm®, CircoTherm® Eco, Top/bottom heat, Conventional heat eco, Hot air grilling, Full surface grill, Centre surface grill, CircoTherm® intensive, Bread baking, Bottom heat, Low temperature cooking, Defrost, Dough proving
- Permanent control panel lock
- Automatic safety switch off
- Residual heat indicator
- Start button
- Door contact switch
- Silver display EasyClock
- Full glass inner door
- Triple glazed door
- Pull out system: QuickConnect shelf supports
- Additional functions:
 - Steam cooking function (Neff system steamer accessory required)
- Supporting systems: Bake and roast assist
- Rapid heat
- Cooling fan
- Stainless-steel fan
- Info button

Design

- TFT display
- Illuminated ShiftControl
- Revolution handle
- Cavity inner surface: Enamel anthracite

Oven cleaning

- EcoClean program, BaseClean program

Standard accessories

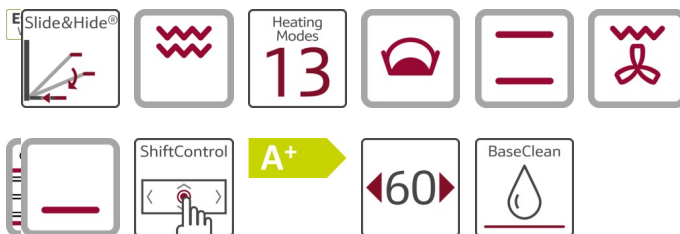
- Pull out system: QuickConnect shelf supports

Optional accessories

- 1 x enamel baking tray, 1 x combination grid, 1 x universal pan

Performance/technical information

- Cavity volume: 71 litre
- Temperature range 40 °C - 275 °C
- Length of mains cable: 120 cm
- Total connected load electric: 3.65 KW
- Appliance dimensions (height): 595 mm x 596 mm

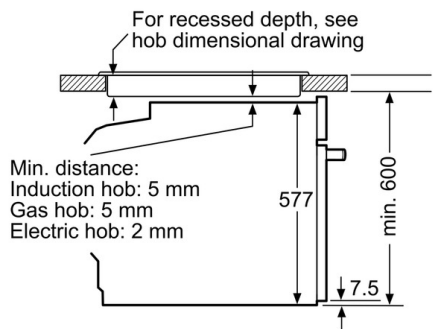


B45CS32N0B

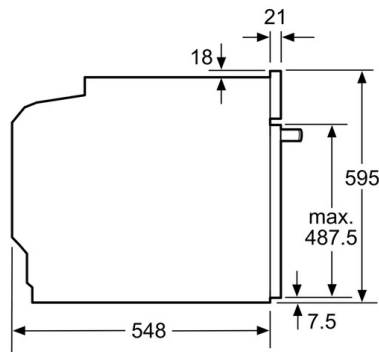
Oven

Stainless steel

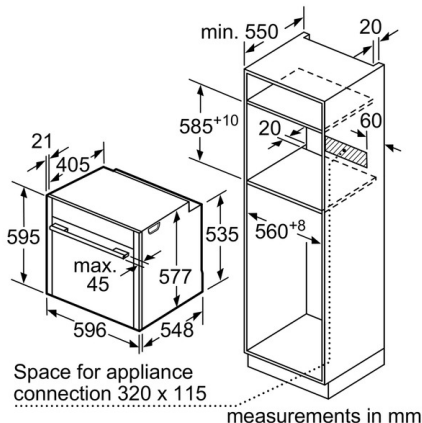
Installation with a hob.



measurements in mm



measurements in mm



measurements in mm

Characteristics

Color / Material Front : Stainless steel
 Construction type : Built-in
 Integrated Cleaning system : Catalytic all sides, Hydrolytic
 Required niche size for installation (HxWxD) : 585 x 560 x 550
 Dimensions of the product (mm) : 595 x 596 x 548
 Control Panel Material : Stainless steel
 Door Material : Glass
 Net weight (kg) : 37.0
 Usable volume of cavity (l) : 71
 Cooking method : , Bottom heat, Bread Baking Setting, Conventional heat, Defrost, Dough proving setting, Full width grill, Half width grill, Hot Air, Hot Air-Eco, Hot air grilling, low temperature cooking, Pizza setting
 Number of interior lights : 1
 Approval certificates : CE, VDE
 Length of electrical supply cord (cm) : 120
 Interior Lights - cavity 1 : 1
 Pull-out system : Accessory
 Clock function : Alarm, Off, On
 Included accessories : 1 x enamel baking tray, 1 x combination grid, 1 x universal pan
 Broil Element Wattages cavity 1 (W) : 2800
 Convection Element Wattages cavity 1 (W) : 2300
Consumption and connection features
 Energy consumption conventional (kWh) - cavity 1 : 0.87
 Energy consumption forced air convection (kWh) - cavity 1 : 0.69
 Electrical connection rating (W) : 3650
 Current (A) : 16
 Voltage (V) : 220-240
 Frequency (Hz) : 50; 60
 Plug type : no plug
 Color / Material Front : Stainless steel
 Energy input : Electric
 Approval certificates : CE, VDE
 Dimensions of the packed product (in) : 26.57 x 25.98 x 27.16
 Net weight (lbs) : 81
 Gross weight (lbs) : 86
 Length of electrical supply cord (cm) : 120
 Required niche size for installation (HxWxD) : 585 x 560 x 550
 Dimensions of the product (mm) : 595 x 596 x 548
 Net weight (kg) : 37.0

Alternative colors available

B45CS32N0B:Stainless steel

Optional accessories

- Z11AB10A0 Baking tray, anti-adherent coating
- Z11AU10A0 Multipurpose pan, anti-adherent coating
- Z11CR10X0 Baking and roasting grid (standard)
- Z11GT10X0 Glass roasting dish, 5,1l
- Z11GU20X0 Glasspan
- Z11SZ00X0 SeamlessCombination mounting kit
- Z11TC16X0 ComfortFlex Rail (1 level)
- Z11TF36X0 3 level telescopic rails, full ext
- Z12CB10A0 Enamelled baking tray
- Z12CL10A0 Lid for professional pan
- Z12CM10A0 Moussaka pan, enamelled
- Z12CN10A0 Professional pan, enamelled
- Z12CP10A0 Pizza tin
- Z12CU10A0 Multipurpose pan, enamelled
- Z13CV06S0 Decor strip
- Z1913X0 Baking Stone
- Z19DD10X0 Steam set for ovens
- Z6390X0
- Z9220W0 Conversion cabinet

Included accessories

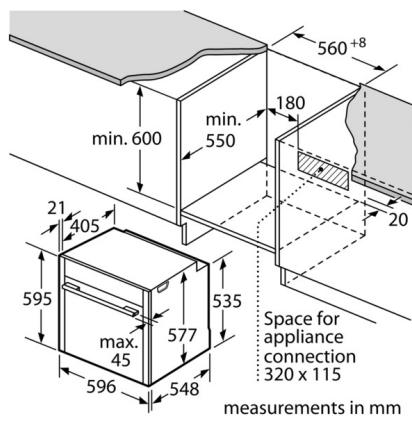
- 1 x enamel baking tray
- 1 x combination grid
- 1 x universal pan

EAN code

4242004192862

B45CS32N0B

Technical Data 1



B45CS32N0B

Technical Data 2